

Parsifal λ

PARSIFAL LAMBDA



Griffmar

DESCRIPTION

In order to widen the range of machines destined to converting, Offmar, after the success gained with PARSIFAL δ , have decided to conceive a smaller machine having reduced performances although maintaining the high **quality of processed products** unaltered.

This new machine, named PARSIFAL λ , is destined to converters, distributors but is also destined to reach the users of the end product themselves.

PARSIFAL λ **can transform bubble film or foam bobbins**, having 2,000 mm as a maximum width, in single fold bags up to 1,000 in width and being from a few centimetres to a few meters long.

For average dimension bags, the reference **productivity is of over 2,000 strokes/hour**.

The processed product is gathered by hand and can be either pre-cut or totally separated.

TECHNICAL FEATURES

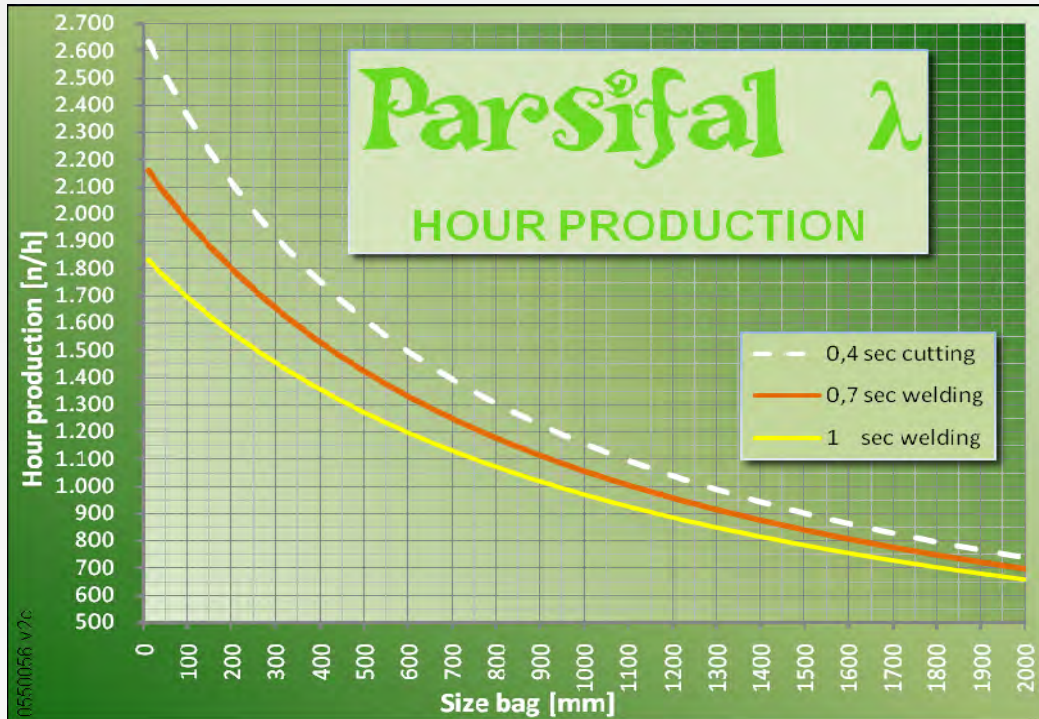
<ul style="list-style-type: none"> • Bobbin max. diameter • Bobbin max. width • Product max. length • Worked product max. thickness • Transversal welding width • Bobbin support with triangle for single fold • Transversal welder with pre-cut width mm 1.000 • Max welding temperature • Welding temperature setting field • Welding temperature tolerance • Welding time • Product translation Max speed • Mechanical speed • Installed power • Three-phase voltage • Frequency • Compressed air 	<table border="0"> <tr><td>mm</td><td>1,600</td></tr> <tr><td>mm</td><td>2,000</td></tr> <tr><td>mm</td><td>endless</td></tr> <tr><td>mm</td><td>3+3</td></tr> <tr><td>mm</td><td>3</td></tr> <tr><td>No.</td><td>1</td></tr> <tr><td>No.</td><td>1</td></tr> <tr><td>°C</td><td>270</td></tr> <tr><td>°C</td><td>1</td></tr> <tr><td>°C</td><td>+/- 2</td></tr> <tr><td>Sec.</td><td>from 0.20 to 3</td></tr> <tr><td>m/min.</td><td>30</td></tr> <tr><td>Strokes/hr</td><td>over 2,000</td></tr> <tr><td>Kw</td><td>2</td></tr> <tr><td>Volts</td><td>220</td></tr> <tr><td>Hz</td><td>50-60</td></tr> <tr><td>Bar</td><td>6</td></tr> </table>	mm	1,600	mm	2,000	mm	endless	mm	3+3	mm	3	No.	1	No.	1	°C	270	°C	1	°C	+/- 2	Sec.	from 0.20 to 3	m/min.	30	Strokes/hr	over 2,000	Kw	2	Volts	220	Hz	50-60	Bar	6
mm	1,600																																		
mm	2,000																																		
mm	endless																																		
mm	3+3																																		
mm	3																																		
No.	1																																		
No.	1																																		
°C	270																																		
°C	1																																		
°C	+/- 2																																		
Sec.	from 0.20 to 3																																		
m/min.	30																																		
Strokes/hr	over 2,000																																		
Kw	2																																		
Volts	220																																		
Hz	50-60																																		
Bar	6																																		

WORKABLE MATERIALS

- **Air Bubble**
Weight 40/50/70/90/100/115/150 gr/m²
Bubble Thickness 3mm
- **Air Bubble + Metalized PP**
Thickness 3mm with Metalized PP over 1 or 2 faces
- **Metalized PP**
- **Air Bubble +HD**
Thickness 3mm+Hd 8/10/20µm
- **Air Bubble +Pe**
70gr Bubble +Pe 1/2/3/4µm
90gr Bubble+Pe 1/2/3/4µm
- **Foam+Hd**
Pe 1mm+Hd 8 /10/20µm
Pe 2mm+Hd 8 /10/20µm
Pe 3mm+Hd 8 /10/20µm

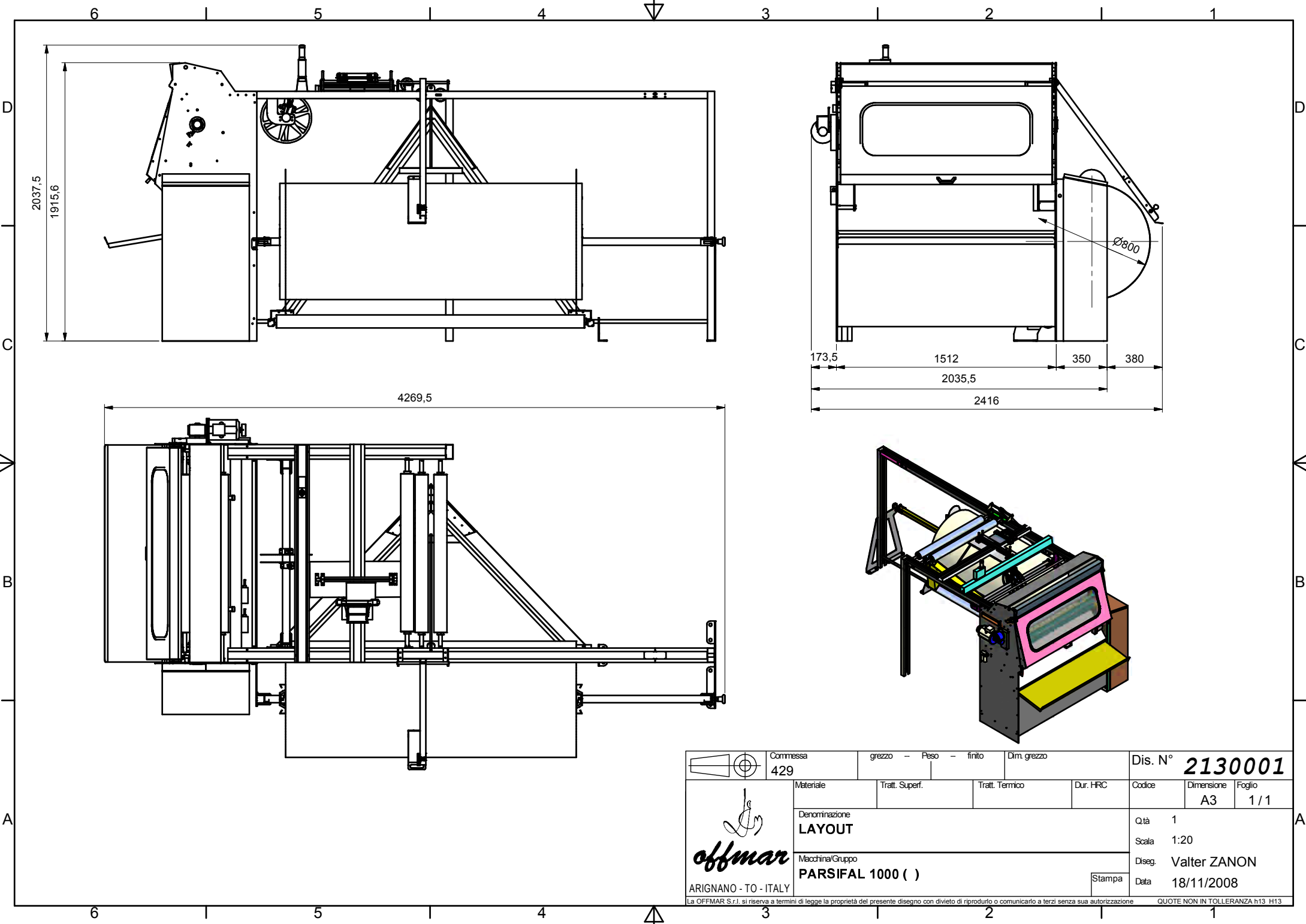



PRODUCTIONS



OPTIONALS

- Double adhesive tape dispenser
- Pneumatic puncher
- Mark reader with adjustable support
- Bobbin cutting device
- Dispenser for hot application of a Minigrip type reclosable zip
- Device for handgrip punching
- Line bobbin support
- Longitudinal welding device
- Additional longitudinal welding device
- Longitudinal cutting device
- Additional longitudinal cutting device
- Rewinder 1500 mm
- Increase in the width of the machine for transversal welding bar 1650 mm.
- Increase in the width of the machine for transversal welding bar 2500 mm.
- Printed adhesive tape dispenser
- Welding bar for open end L=1000
- Welding bar for open end L=1650



 offmar ARIGNANO - TO - ITALY	Commissa 429	grezzo - Peso - finito	Dim. grezzo	Dis. N° 2130001
	Materiale	Tratt. Superf.	Tratt. Termico	Dur. HRC
Denominazione LAYOUT				Codice A3 Foglio 1/1
Macchina/Gruppo PARSIFAL 1000 ()				Q.tà 1 Scala 1:20 Diseg. Valter ZANON
La OFFMAR S.r.l. si riserva a termini di legge la proprietà del presente disegno con divieto di riprodurlo o comunicarlo a terzi senza sua autorizzazione				Data 18/11/2008 QUOTE NON IN TOLLERANZA h13 H13

